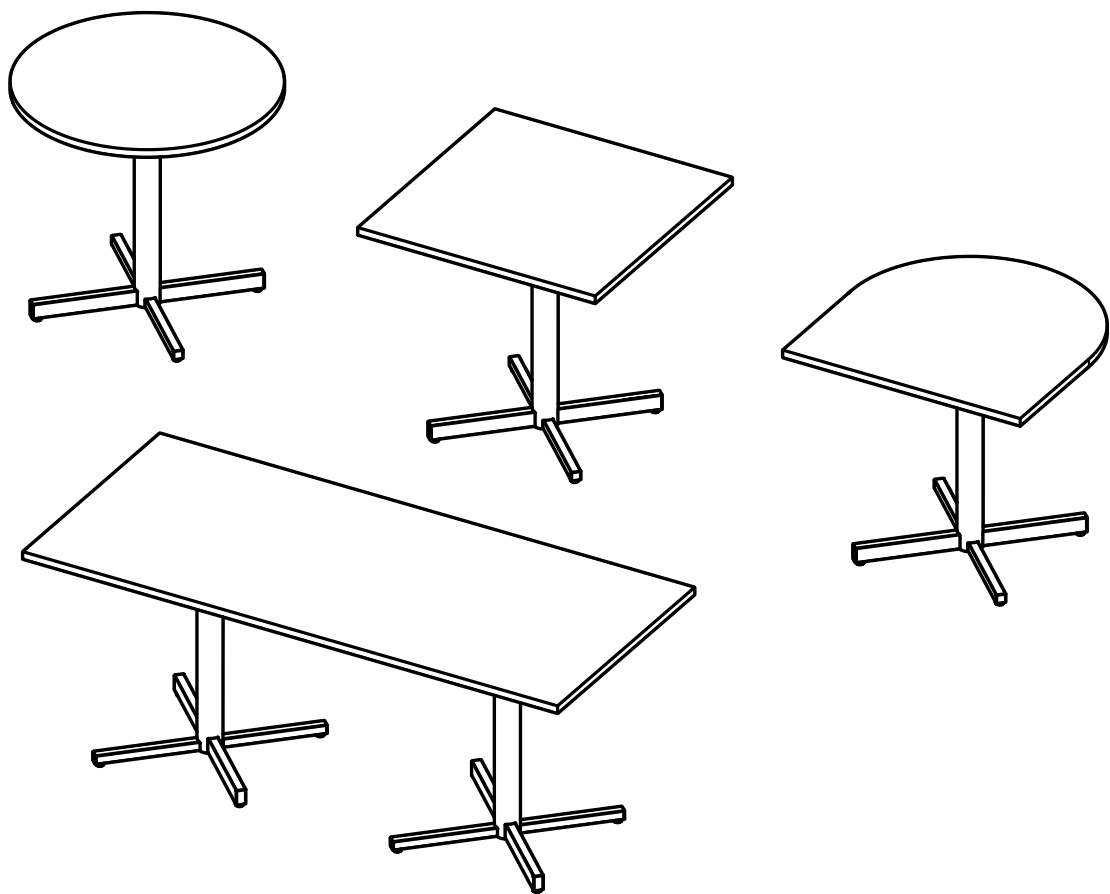


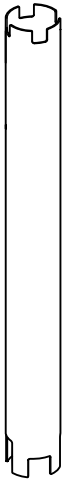
Tables cross

TB CS 80, TB CC 80, TB CSC 80, TB CR 180,
installation manual

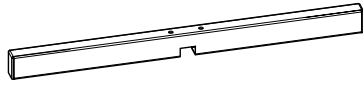


bejot:

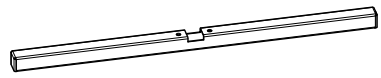
1



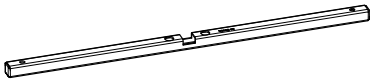
2



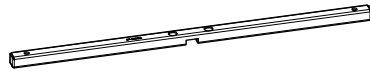
3



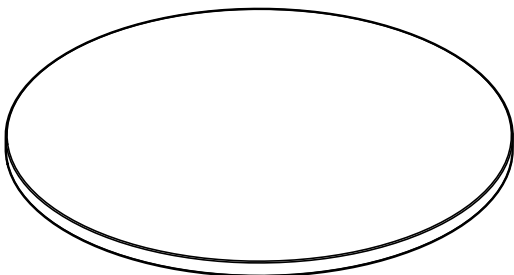
4



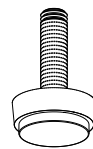
5



6

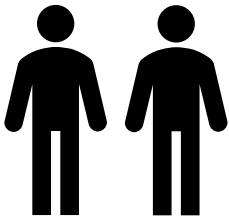


7

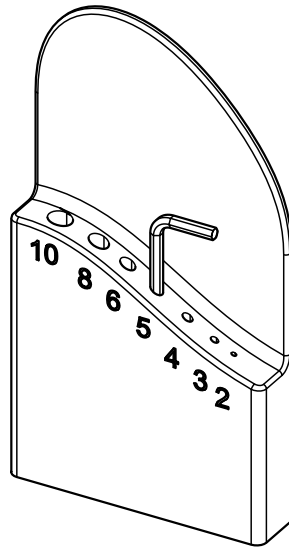
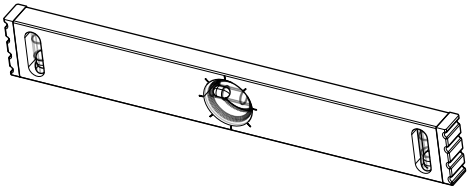


x4

PEOPLE

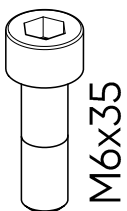


ADDITIONAL TOOLS

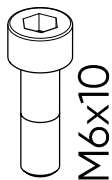


ATTACHED

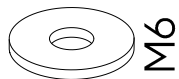
metal construction



x10

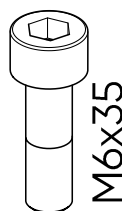


x2

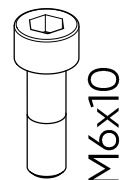


x4

wood construction



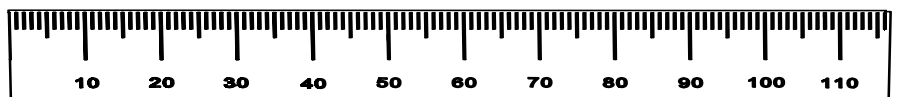
x8



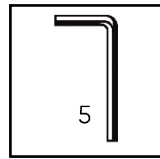
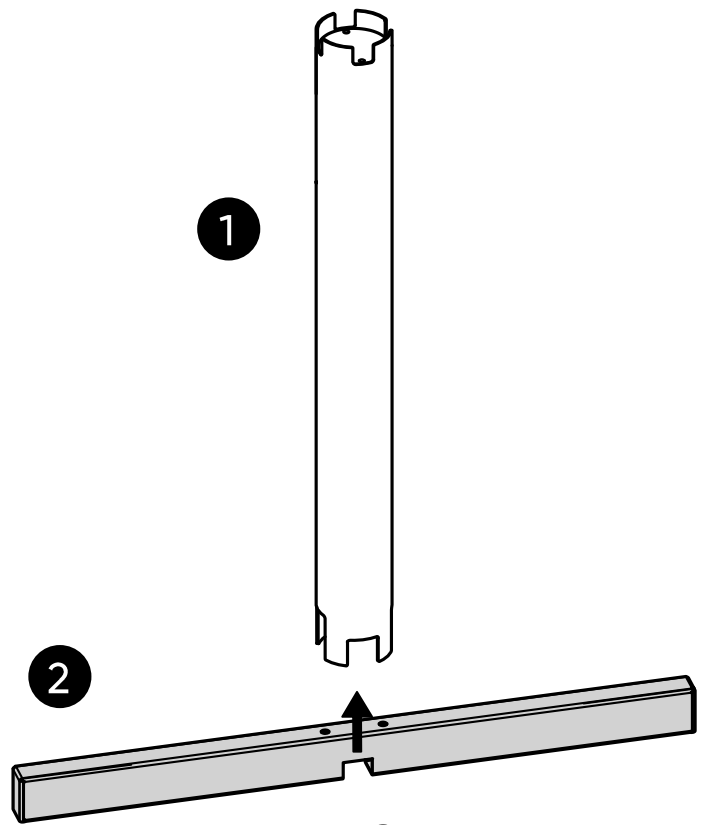
x4



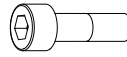

x4



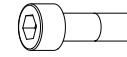

1

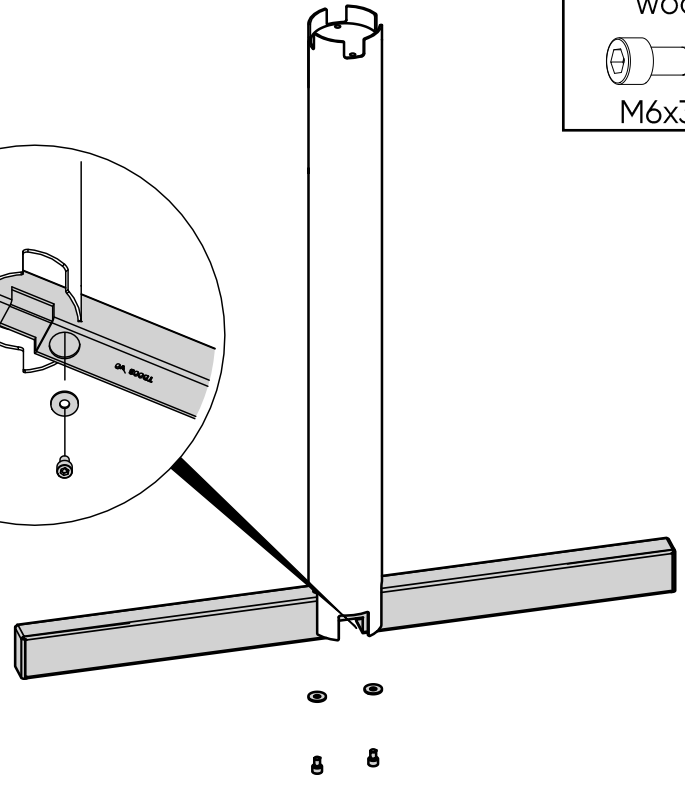
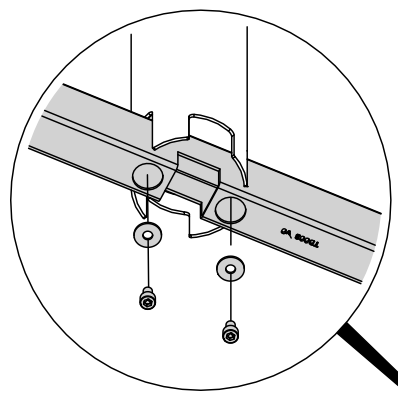


metal construction

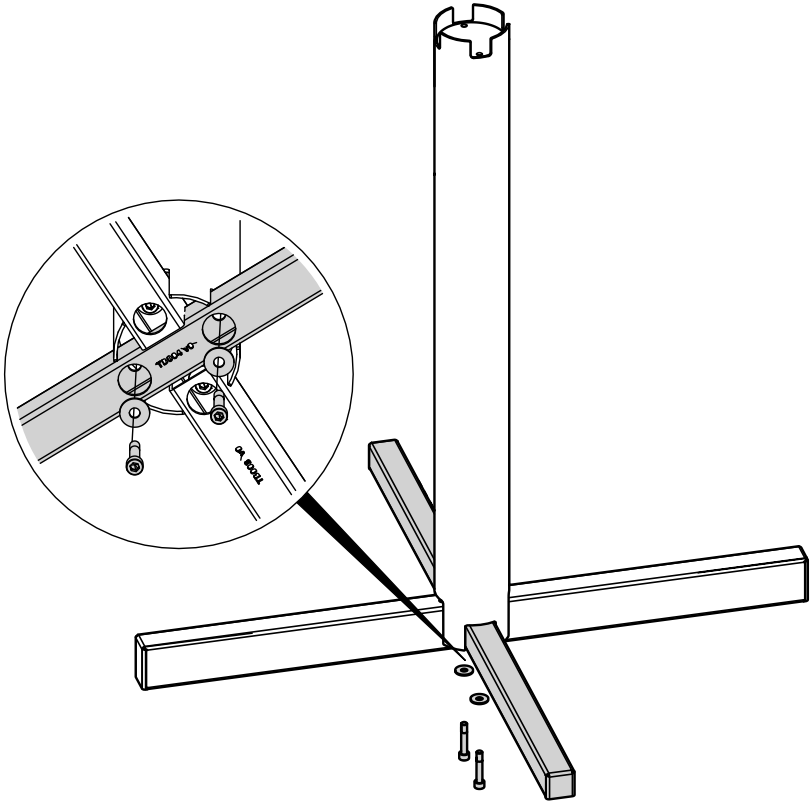
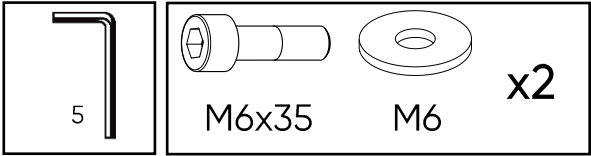
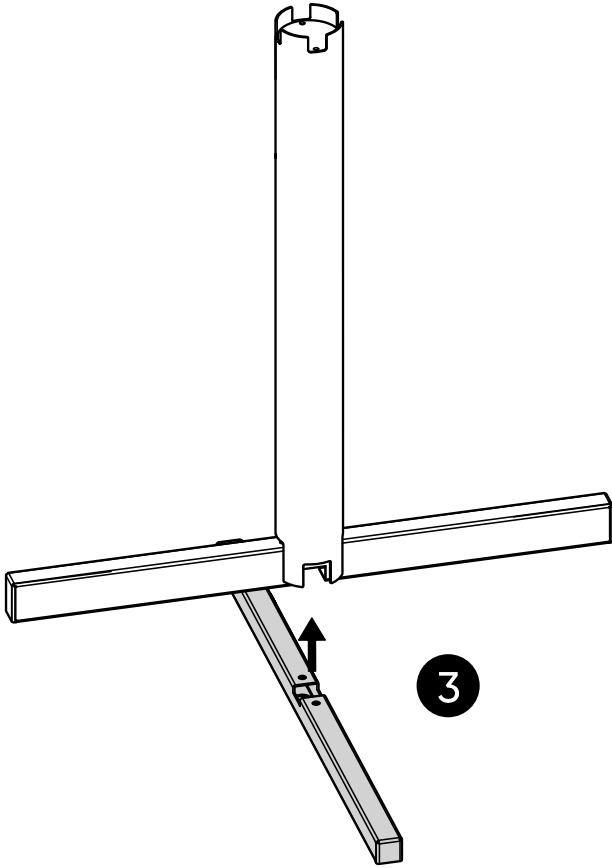
		x2
M6x10	M6	

wood construction

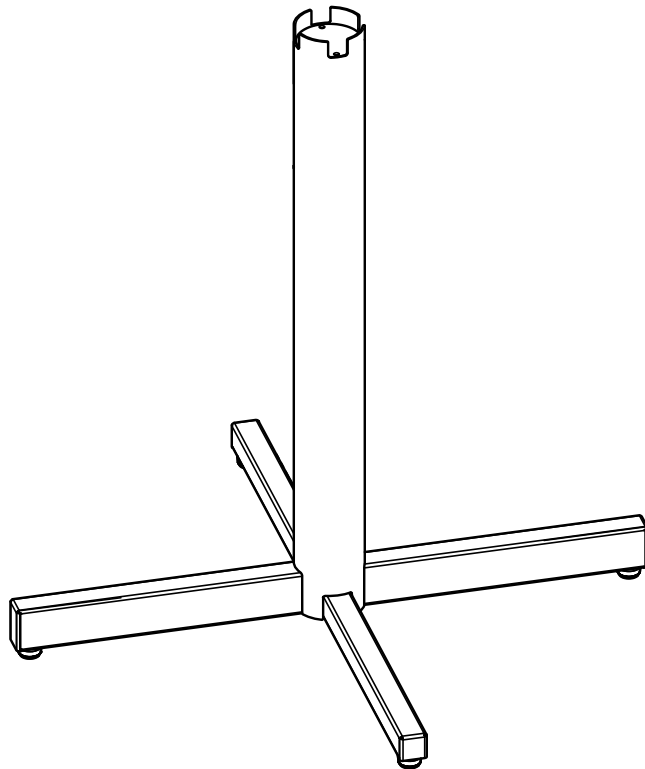
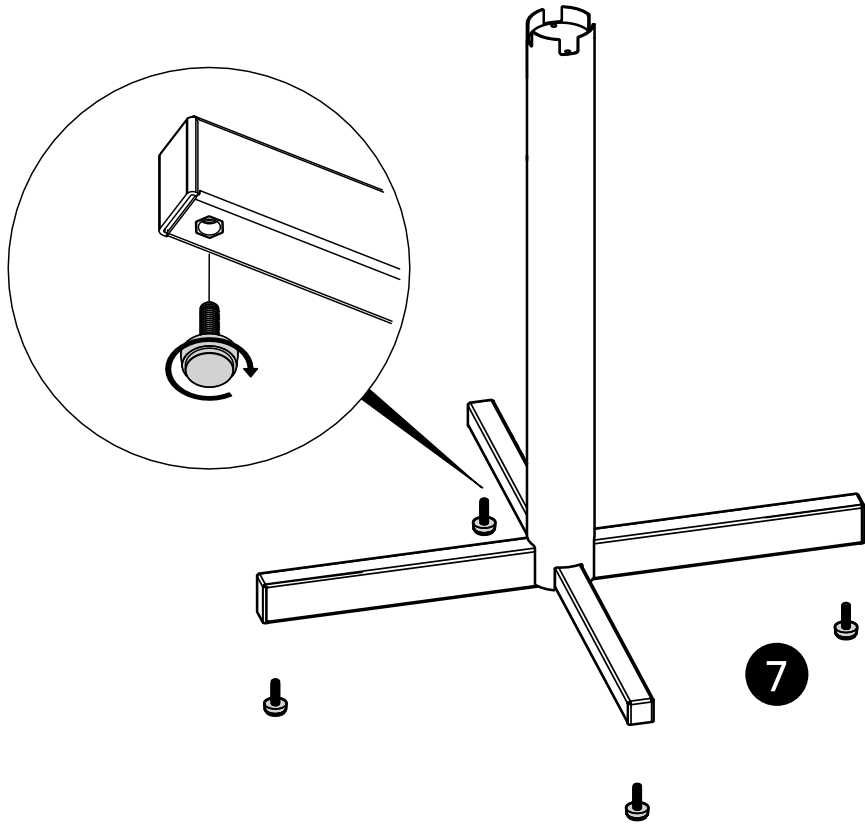
		x2
M6x35	M6	



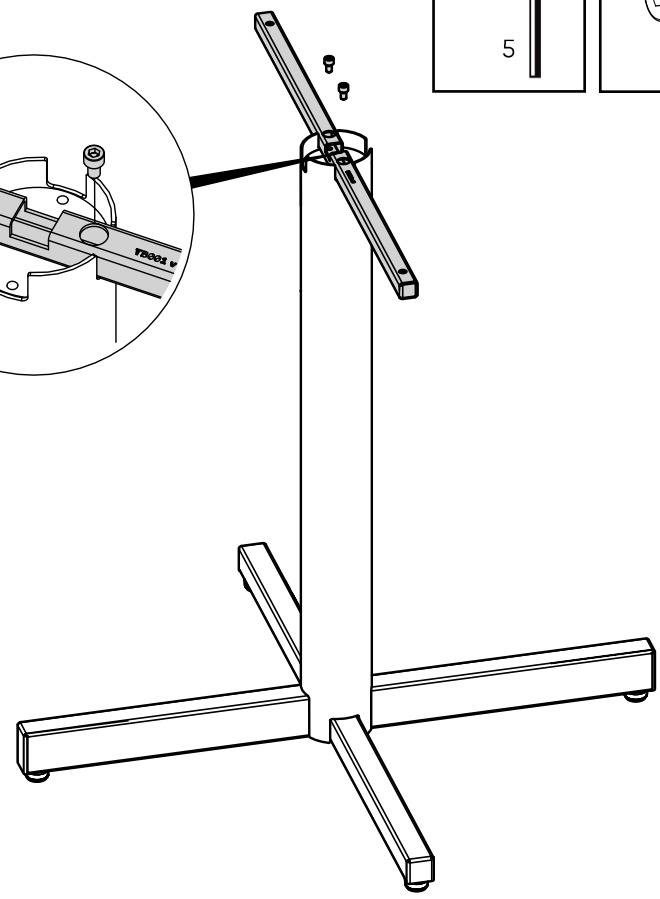
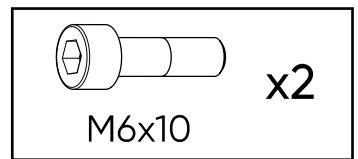
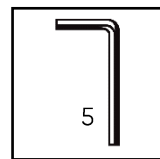
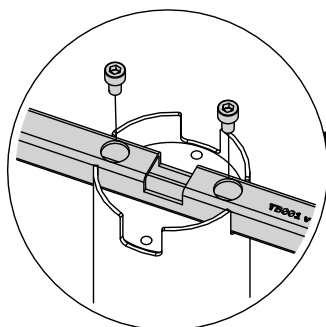
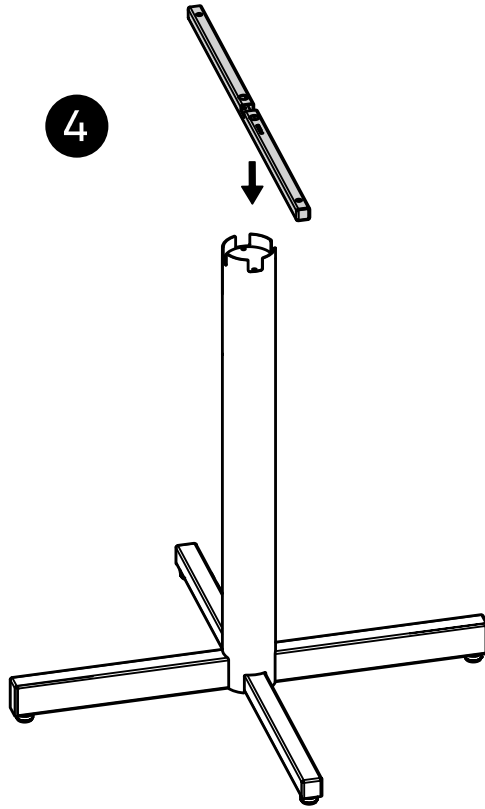
2



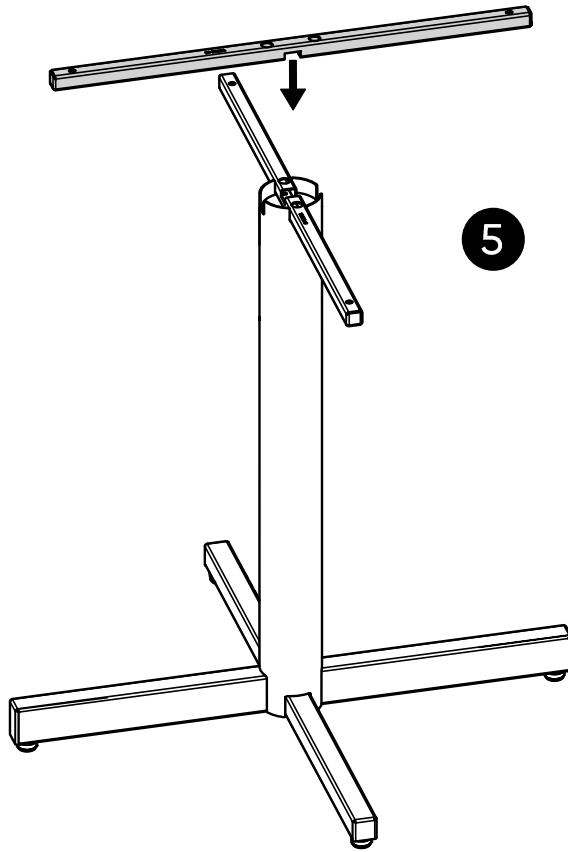
3



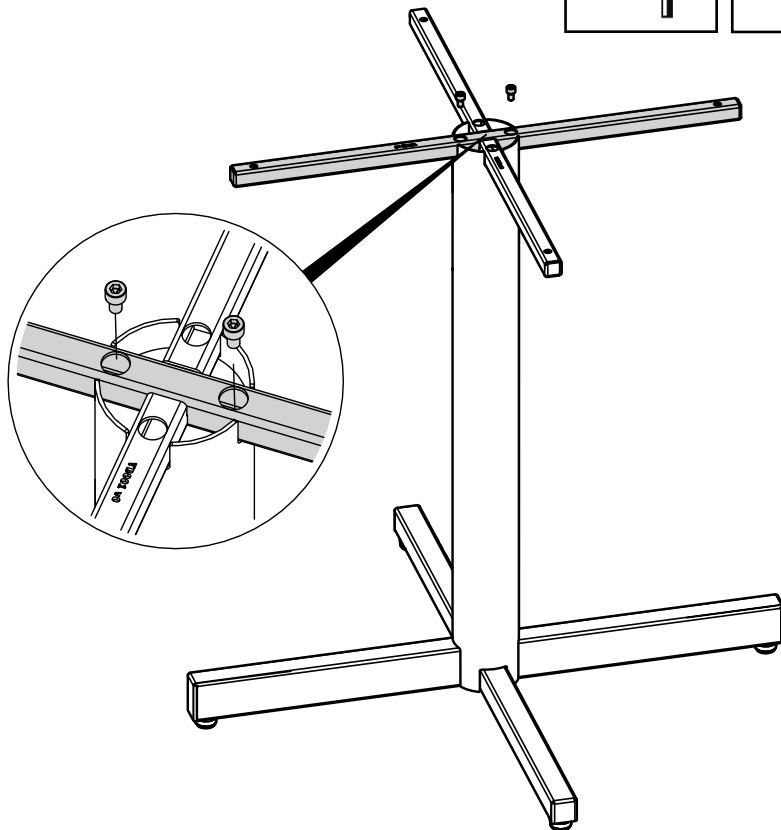
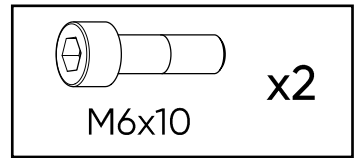
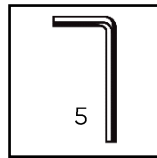
4



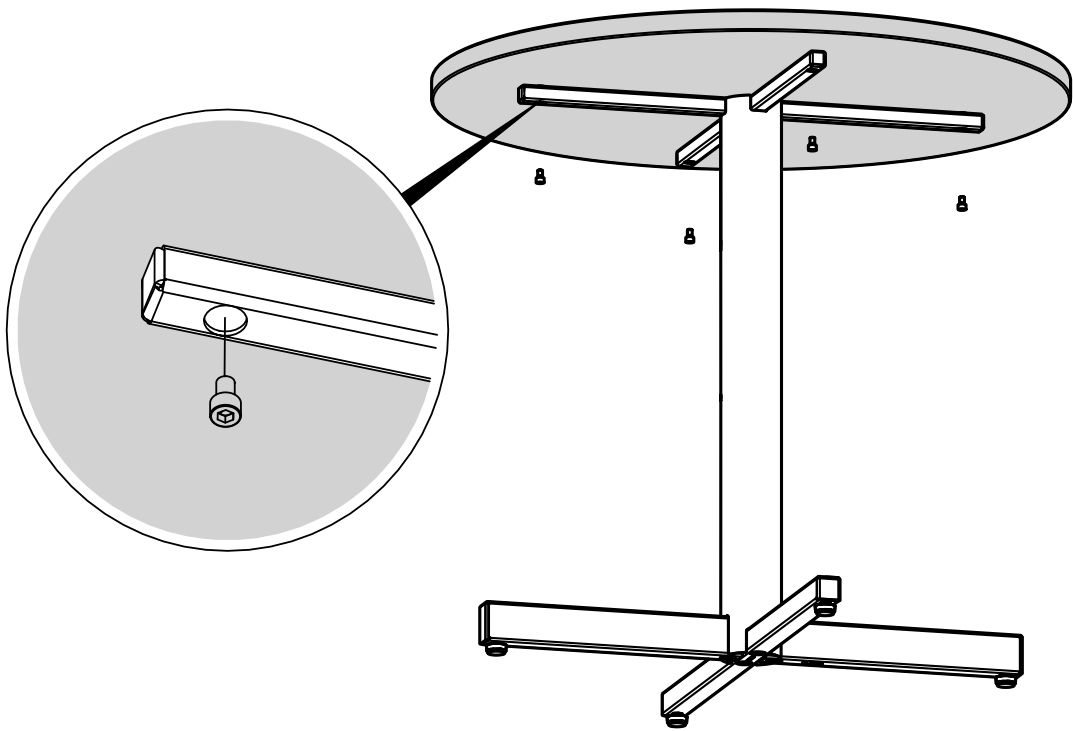
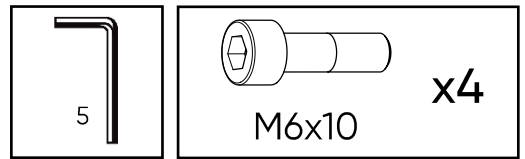
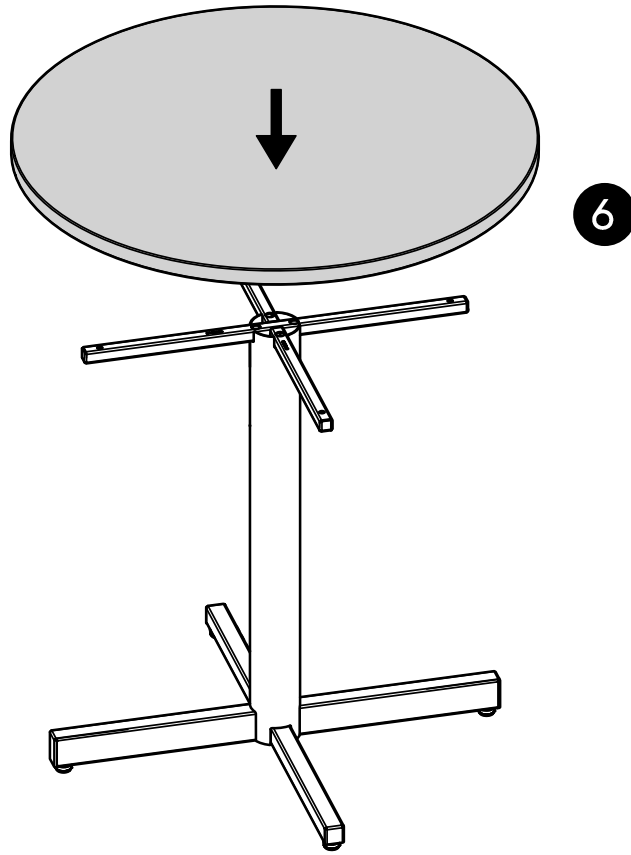
5



5

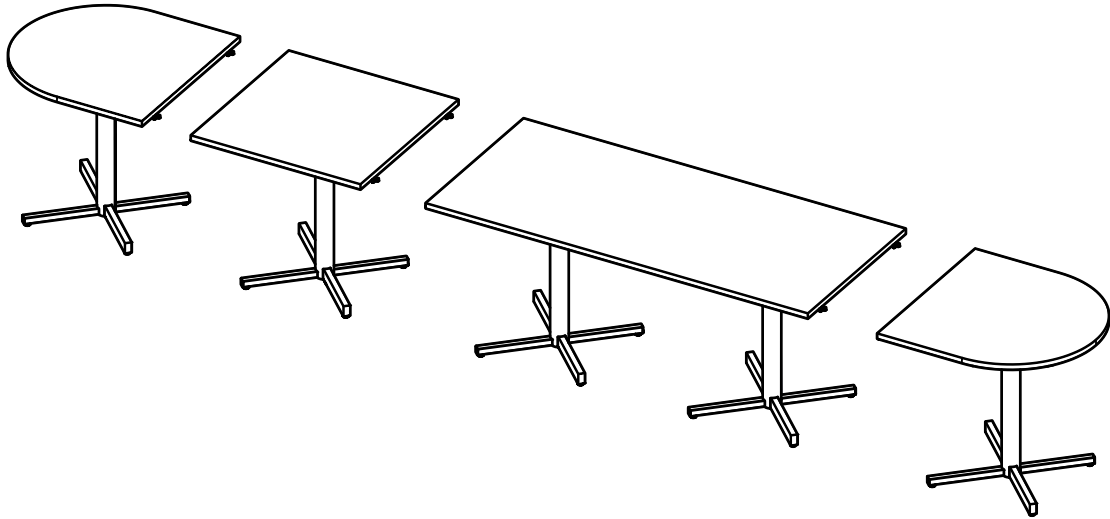


6

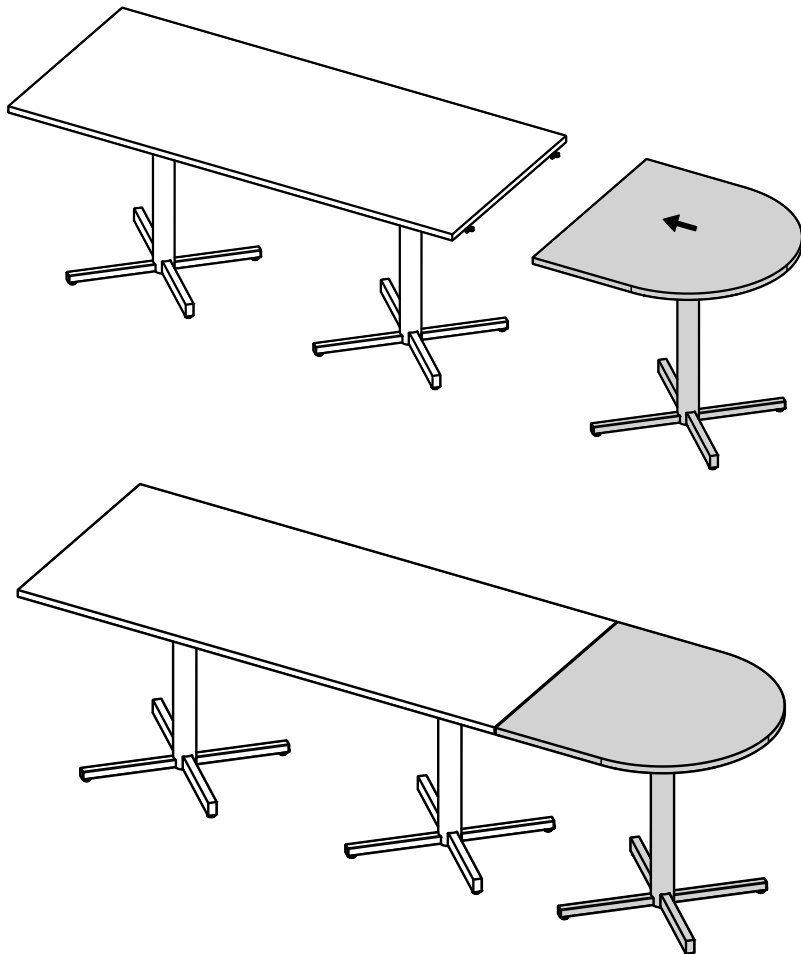


7

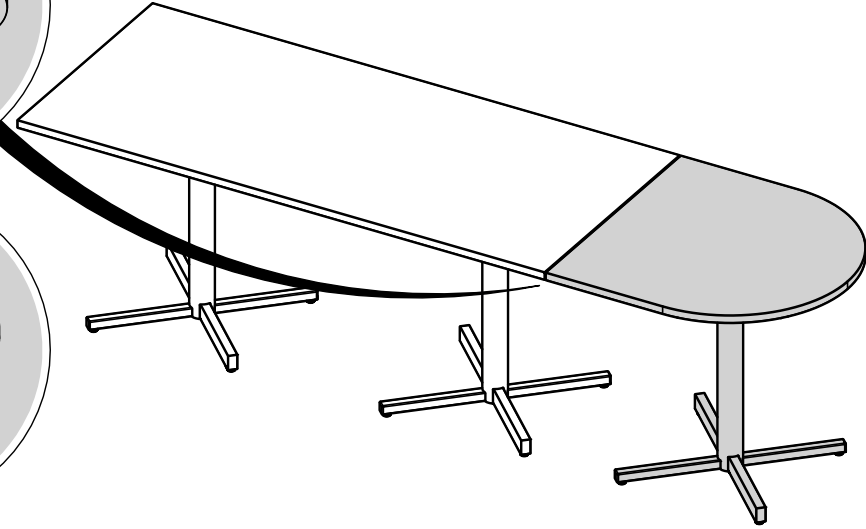
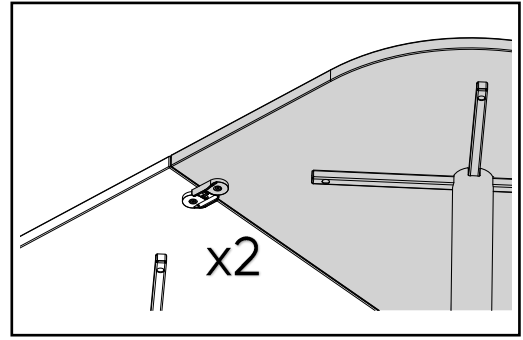
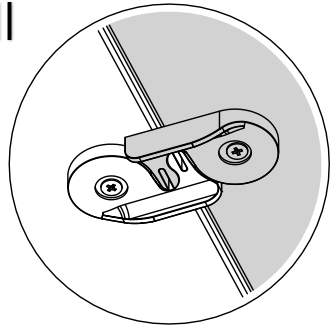
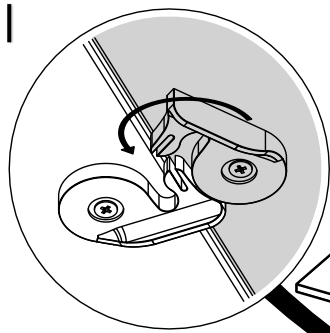
connecting tables



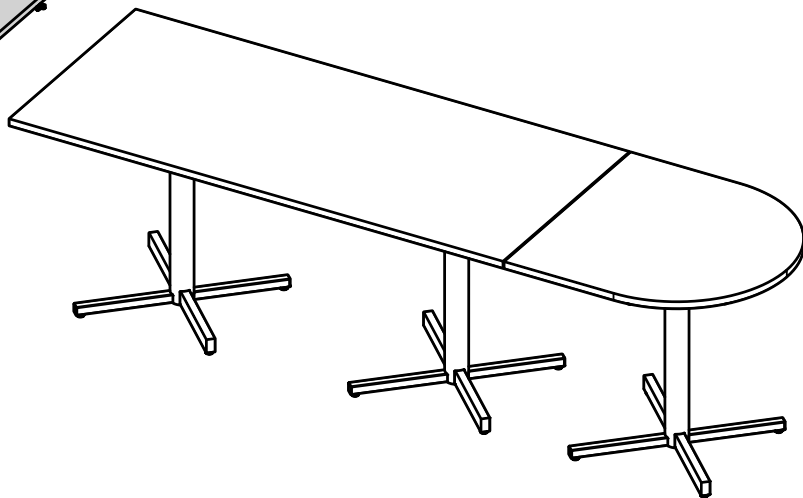
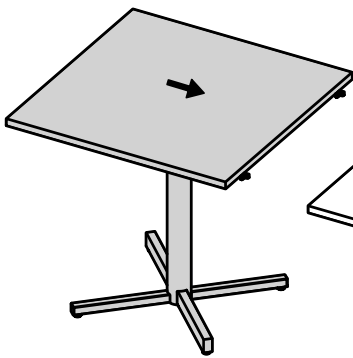
8



9

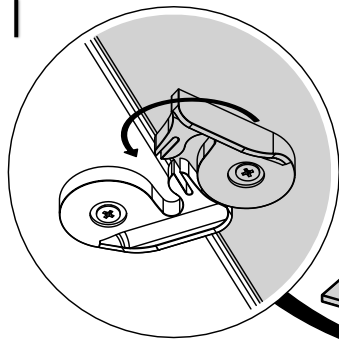


10

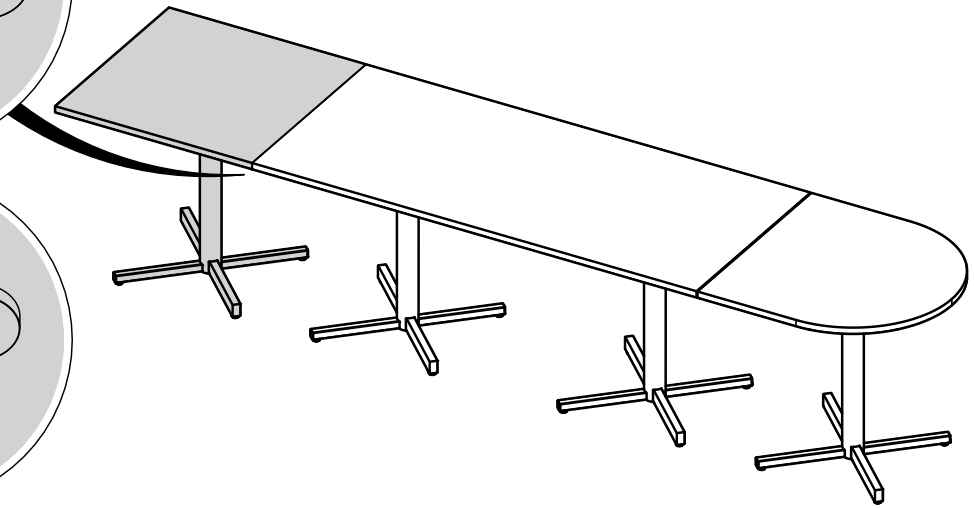
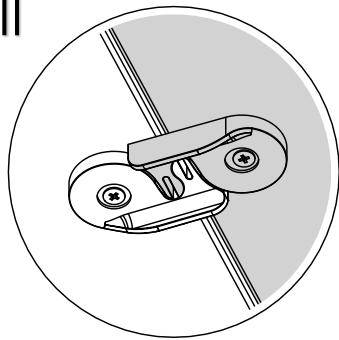


11

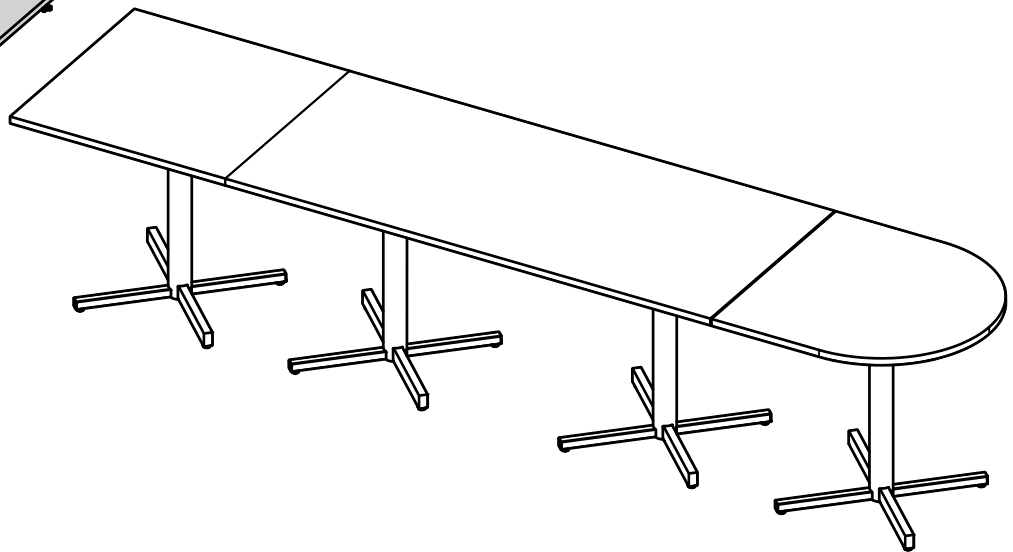
I



II

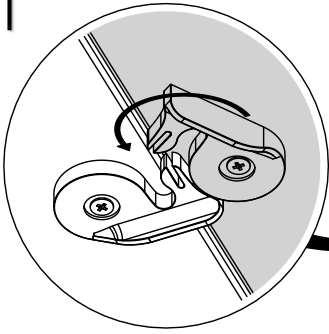


12

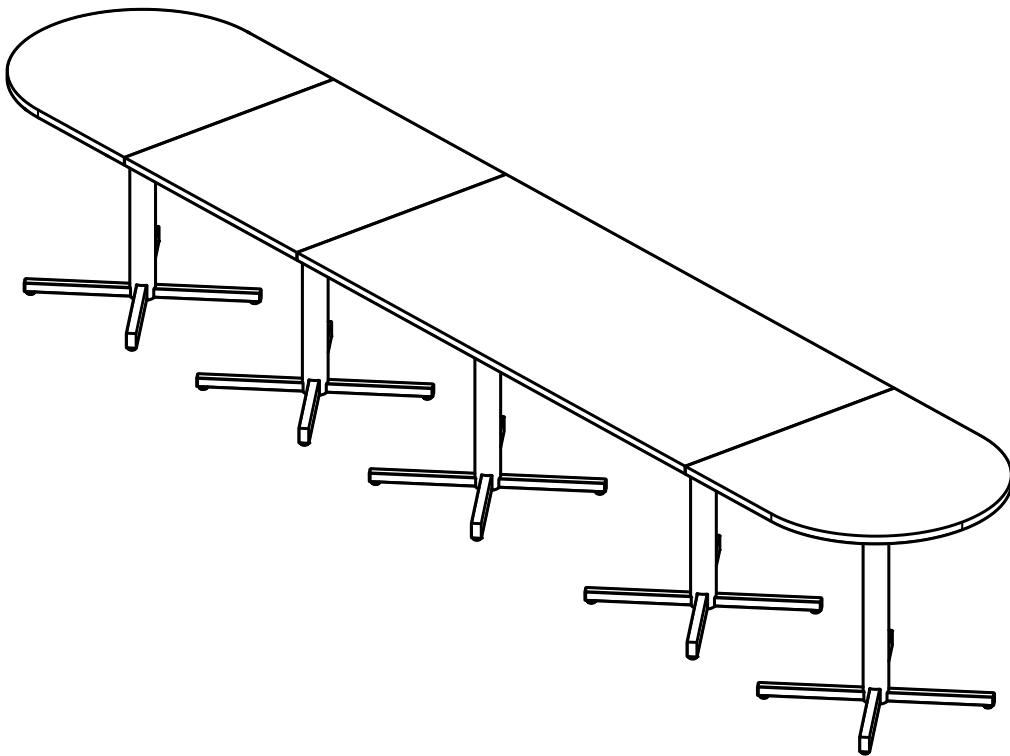
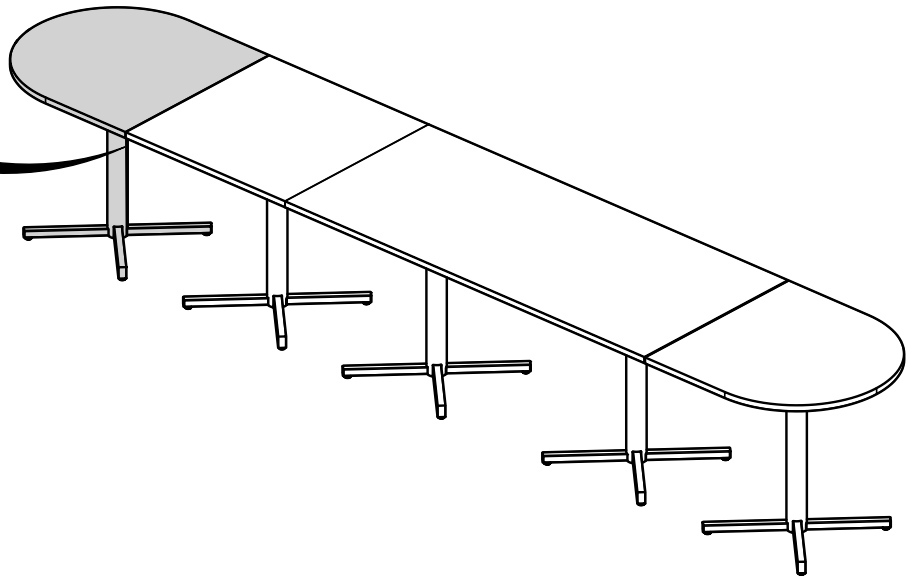
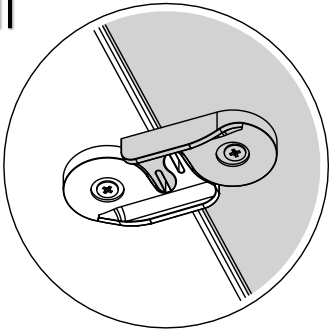


13

I



II



Bejot Sp. z o. o.

ul. Wybickiego 2A, Manieczki, 63-112 Brodnica n. Poznania, POLAND

tel.: +48 (61) 281 22 25, e-mail: biuro@bejot.eu

www.bejot.eu

edition 03/2022